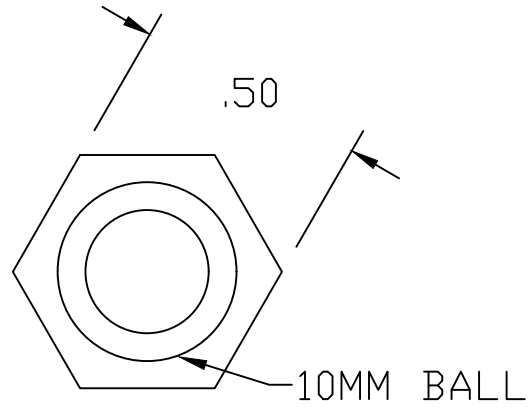
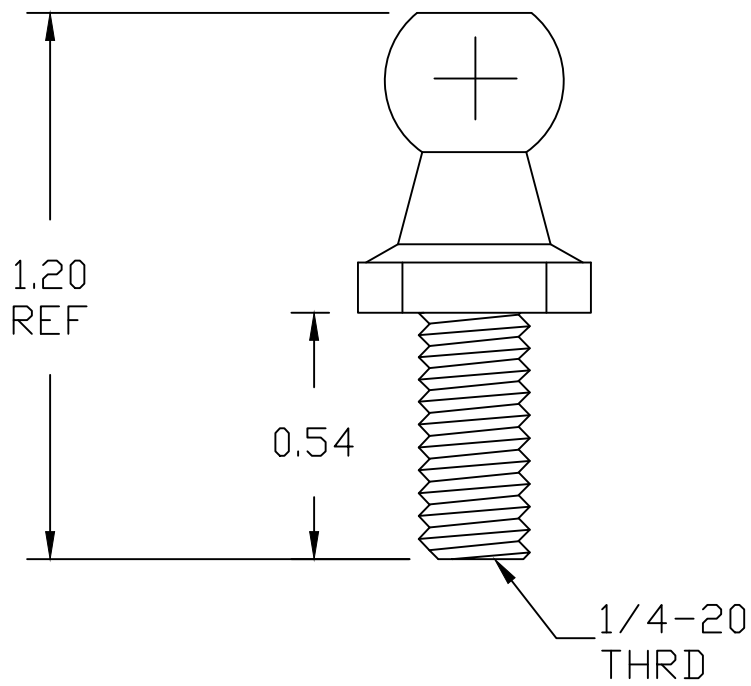


REVISIONS			
REV	DESCRIPTION	DATE	APPROVED
A	MATERIAL CALL OUT	1/26/12	D.CASWELL



- 5. ALL DIAMETERS CONCENTRIC WITHIN .005 T.I.R.
 - 4. MAX SURFACE FINISH: 63 Ra.
 - 3. BREAK ALL EDGES: .010 MAX.
 - 2. MATERIAL: 303/304 STAINLES STEEL
 - 1. WORKMANSHIP PER AMERITOOOL STANDARD
- NOTES: UNLESS OTHERWISE SPECIFIED

CAD GENERATED DRAWING,
DO NOT MANUALLY UPDATE

DO NOT SCALE PRINT
UNLESS OTHERWISE SPECIFIED
DIMENSIONS ARE IN INCHES
REMOVE ALL BURRS
INTERPRET DIM AND TOL PER ASME Y14.5M - 1994
LIMITS ON FINISHED DIMENSIONS:
TOL ON ANGLE: 2° 2PL; .015 3PL; .010

NOTICE: THE INFORMATION CONTAINED IN THIS
DRAWING IS PROPRIETARY TO AMERITOOOL AND
SHALL NOT BE DISCLOSED IN WHOLE OR IN PART,
OR USED FOR ANY DESIGNOR MANUFACTURE,
EXCEPT WHEN SUCH USER POSSESSED DIRECT
WRITTEN AUTHORIZATION FROM AMERITOOOL.

APPROVED	D. CASWELL	3/17/2018
CHECKED	R. PRICE	3/17/2018
DRAWN	D. CASWELL	3/17/2018

MATERIAL: SEE NOTE 2

AMERITOOOL
MFG INC.

AMERITOOOL MFG INC
64 CORPORATE PARK DRIVE
CENTRAL SQUARE, NY 13036
PHONE: (315) 668-2172

STAINLESS STEEL BALL STUD
10MM BALL

SIZE	CAGE CODE	PART NO
A	6JGQ3	BSSS-1020
SCALE: 1:1	WEIGHT: 13g	SHEET 1 OF 1

CAD FILE:BSSS-10E_SHP_PRINT.DWG