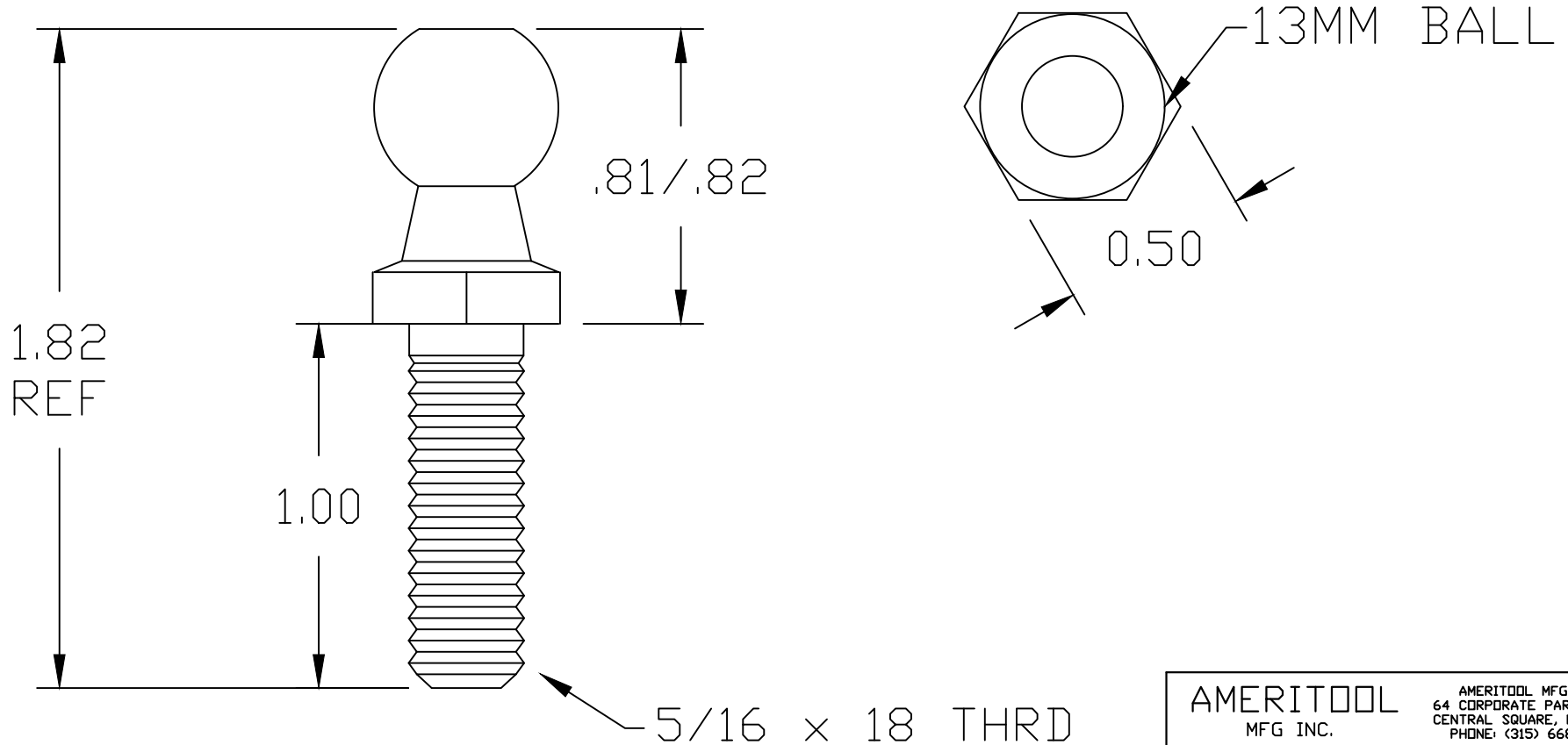


REVISIONS			
REV	DESCRIPTION	DATE	APPROVED



- 5. ALL DIAMETERS CONCENTRIC WITHIN .005 T.I.R.
 - 4. MAX SURFACE FINISH: 63 Ra.
 - 3. BREAK ALL EDGES: .010 MAX.
 - 2. MATERIAL: 303/304 STAINLESS STEEL
 - 1. WORKMANSHIP PER AMERITDOL STANDARD
- NOTES: UNLESS OTHERWISE SPECIFIED

AMERITDOL
MFG INC.

AMERITDOL MFG INC
64 CORPORATE PARK DRIVE
CENTRAL SQUARE, NY 13036
PHONE: (315) 668-2172

**STAINLESS STEEL 13MM BALL STUD
875 SERIES**

APPROVED	D. CASWELL	1/12/2011
CHECKED	R. PRICE	1/12/2011
DRAWN	D. CASWELL	1/12/2011
MATERIAL		
SEE NOTE 2		

SIZE	CAGE CODE	PART NO
A	6JGQ3	BSSS-13E1
SCALE: 1:1	WEIGHT: 19g	SHEET 1 OF 1

CAD GENERATED DRAWING,
DO NOT MANUALLY UPDATE

DO NOT SCALE PRINT
UNLESS OTHERWISE SPECIFIED
DIMENSIONS ARE IN INCHES
REMOVE ALL BURRS
INTERPRET DIM AND TOL PER ASME Y14.5M - 1994
LIMITS ON FINISHED DIMENSIONS:
TOL ON ANGLE: 2° 2PL .015 3PL .010

NOTICE: THE INFORMATION CONTAINED IN THIS
DRAWING IS PROPRIETARY TO AMERITDOL AND
SHALL NOT BE DISCLOSED IN WHOLE OR IN PART,
OR USED FOR ANY DESIGNER MANUFACTURE,
EXCEPT WHEN SUCH USER POSSESSED DIRECT
WRITTEN AUTHORIZATION FROM AMERITDOL.

CAD FILE: BSSS-08LDJWG