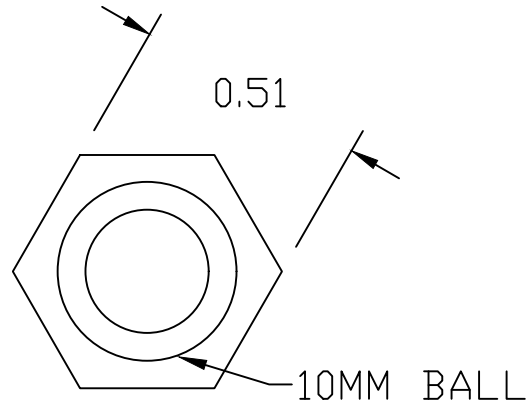
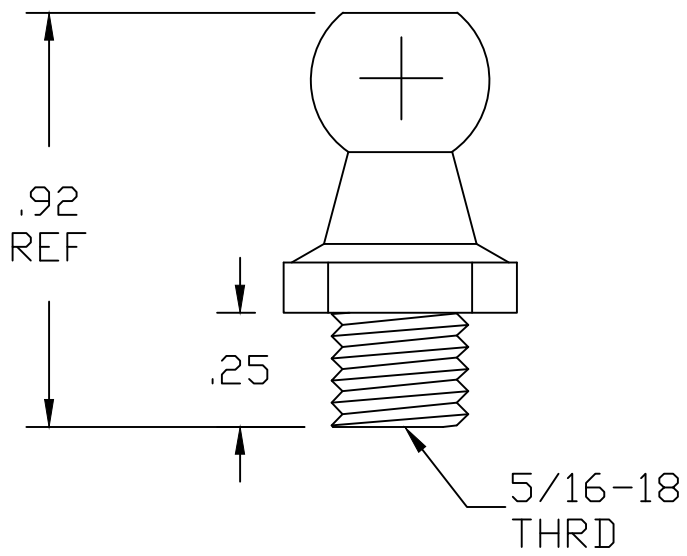


REVISIONS			
REV	DESCRIPTION	DATE	APPROVED



- 5. ALL DIAMETERS CONCENTRIC WITHIN .005 T.I.R.
 - 4. MAX SURFACE FINISH: 63 Ra.
 - 3. BREAK ALL EDGES: .010 MAX.
 - 2. MATERIAL: 303/304 STAINLES STEEL
 - 1. WORKMANSHIP PER AMERITOOOL STANDARD
- NOTES: UNLESS OTHERWISE SPECIFIED

CAD GENERATED DRAWING,
DO NOT MANUALLY UPDATE

DO NOT SCALE PRINT
UNLESS OTHERWISE SPECIFIED
DIMENSIONS ARE IN INCHES
REMOVE ALL BURRS
INTERPRET DIM AND TOL PER ASME Y14.5M - 1994
LIMITS ON FINISHED DIMENSIONS:
TOL. ON ANGLE: 2° 2PL; .015 3PL; .010

NOTICE: THE INFORMATION CONTAINED IN THIS DRAWING IS PROPRIETARY TO AMERITOOOL AND SHALL NOT BE DISCLOSED IN WHOLE OR IN PART, OR USED FOR ANY DESIGN OR MANUFACTURE, EXCEPT WHEN SUCH USER POSSESSED DIRECT WRITTEN AUTHORIZATION FROM AMERITOOOL.

APPROVED	D. CASWELL	1/17/2010
CHECKED	R. PRICE	1/17/2010
DRAWN	D. CASWELL	1/17/2010

MATERIAL: SEE NOTE 2

AMERITOOOL
MFG INC.

AMERITOOOL MFG INC
64 CORPORATE PARK DRIVE
CENTRAL SQUARE, NY 13036
PHONE: (315) 668-2172

STAINLESS STEEL BALL STUD
10MM BALL

SIZE	CAGE CODE	PART NO
A	6JGQ3	BSSS-10E25
SCALE: 1:1	WEIGHT: 13g	SHEET 1 OF 1

CAD FILE: BSSS-10E25.DWG