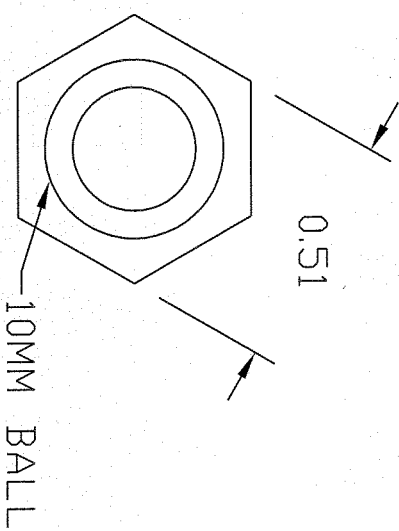
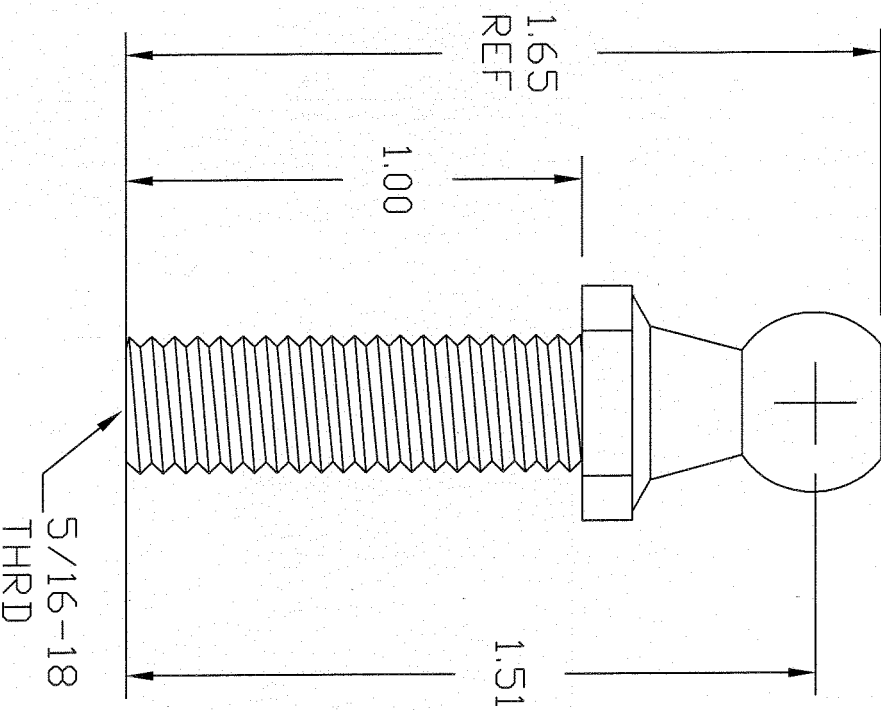


REVISIONS			
REV	DESCRIPTION	DATE	APPROVED
A	MATERIAL CALL OUT	1/26/12	DCASWELL



5. ALL DIAMETERS CONCENTRIC WITHIN .005 T.I.R.
  4. MAX SURFACE FINISH: 63 Ra.
  3. BREAK ALL EDGES: .010 MAX.
  2. MATERIAL: 303/304 STAINLESS STEEL
  1. WORKMANSHIP PER AMERITDOL STANDARD
- NOTES: UNLESS OTHERWISE SPECIFIED

CAD GENERATED DRAWING,  
DO NOT MANUALLY UPDATE

DO NOT SCALE PRINT  
UNLESS OTHERWISE SPECIFIED  
DIMENSIONS ARE IN INCHES  
INTERPRET DIM AND TOL PER ASME Y14.5M - 1994  
LIMITS ON FINISHED DIMENSIONS:  
TOL ON ANGLES: 2° DFL, 015° SPL, 010

NOTICE: THE INFORMATION CONTAINED IN THIS  
DRAWING IS THE PROPERTY OF AMERITDOL. IT IS  
TO BE USED ONLY FOR THE PROJECT AND FOR THE  
EXACT PART AND QUANTITY SPECIFIED DIRECT  
WRITTEN AUTHORIZATION FROM AMERITDOL.

APPROVED	D. CASWELL	1/17/2010
CHECKED	R. PRICE	1/17/2010
DRAWN	D. CASWELL	1/17/2010
MATERIAL		
SEE NOTE 2		

AMERITDOL MFG INC  
64 CORPORATE PARK DRIVE  
CENTRAL SQUARE, NJ 13036  
PHONE: (315) 668-2172

AMERITDOL  
MFG INC.

STAINLESS STEEL BALL STUD  
10MM BALL

SIZE	CAGE CODE	PART NO
A	6JGQ3	BSSS-10E1
SCALE: 1:1	WEIGHT: 13g	SHEET 1 OF 1

CAD FILE: BSSS-10E1 SHOP PRINT.DWG