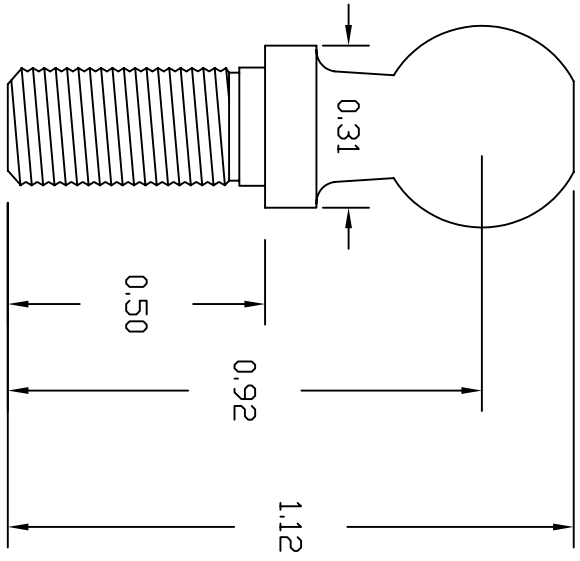
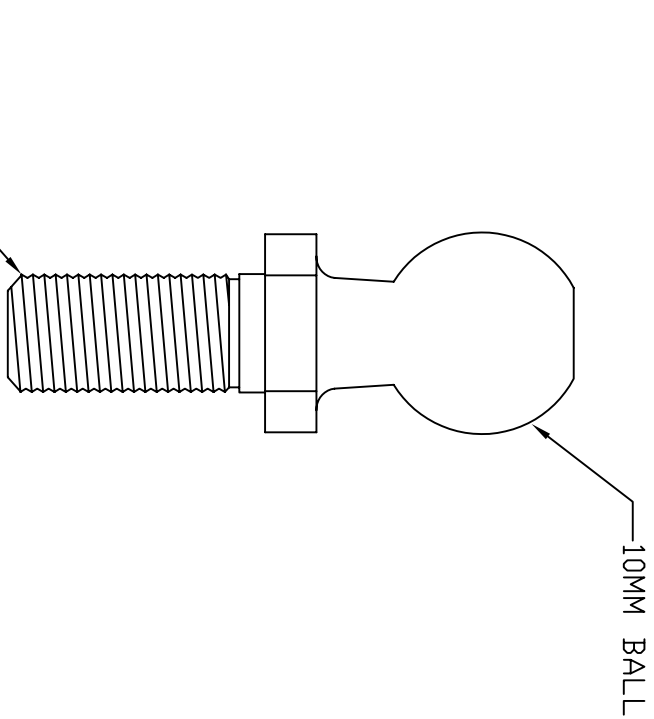


REVISIONS			
REV	DESCRIPTION	DATE	APPROVED



5. ALL DIAMETERS CONCENTRIC WITHIN .005 T.I.R.
 4. MAX SURFACE FINISH: 63 Ra.
 3. BREAK ALL EDGES: .010 MAX.
 2. MATERIAL: 303/304 STAINLESS STEEL
 1. WORKMANSHIP PER AMERITDOL STANDARD
- NOTES: UNLESS OTHERWISE SPECIFIED

CAD GENERATED DRAWING,
DO NOT MANUALLY UPDATE

DO NOT SCALE PRINT
UNLESS OTHERWISE SPECIFIED
DIMENSIONS ARE IN INCHES
INTERPRET DIMENSIONS AS SHOWN UNLESS Y143M - 1994
LIMITS ON FINISHED DIMENSIONS:
TOL ON ANGLES: 2° 30' .015 30° .010

NOTICE: THE INFORMATION CONTAINED IN THIS DRAWING IS REPRESENTATIVE OF AMERITDOL AND NOT A WARRANTY. AMERITDOL IS NOT RESPONSIBLE FOR ANY ERRORS OR OMISSIONS. AMERITDOL IS NOT RESPONSIBLE FOR ANY DAMAGES, INCLUDING CONSEQUENTIAL DAMAGES, ARISING FROM THE USE OF THIS DRAWING. AMERITDOL IS NOT RESPONSIBLE FOR ANY DAMAGES, INCLUDING CONSEQUENTIAL DAMAGES, ARISING FROM THE USE OF THIS DRAWING.

APPROVED	D. CASWELL	1/27/12
CHECKED	R. PRICE	1/27/12
DRAWN	D. CASWELL	1/27/12
MATERIAL	SEE NOTE 2	

AMERITDOL MFG. INC.
MFG. INC.

AMERITDOL MFG. INC.
64 CORPORATE PARK DRIVE
CENTRAL SQUARE, NY 13036
PHONE: (315) 668-2172

STAINLESS STEEL BALL STUD

SIZE	CAGE CODE	PART NO
A	6JGQ3	BSSS-10M

SCALE: 1:1 WEIGHT: 8g SHEET 1 OF 1

CAD FILE: BSSS-10M.DWG