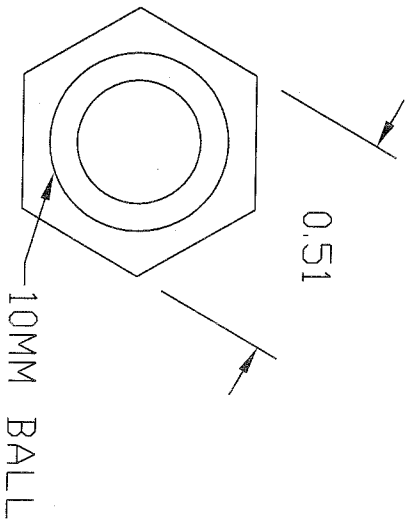
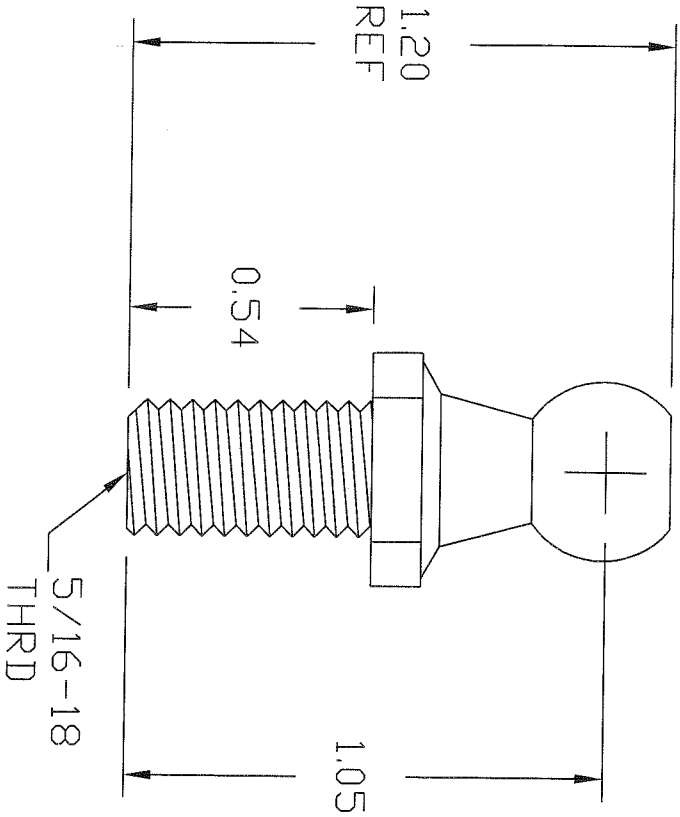


REVISIONS			
REV	DESCRIPTION	DATE	APPROVED
A	MATERIAL CALL OUT	1/26/12	DCASWELL



1. ALL DIAMETERS CONCENTRIC WITHIN .005 T.I.R.
 2. MAX SURFACE FINISH: 63 Ra.
 3. BREAK ALL EDGES: .010 MAX.
 4. MATERIAL: 303/304 STAINLESS STEEL
 5. WORKMANSHIP PER AMERTDOL STANDARD
- NOTES: UNLESS OTHERWISE SPECIFIED

CAD GENERATED DRAWING,
DO NOT MANUALLY UPDATE

DO NOT SCALE PRINT
UNLESS OTHERWISE SPECIFIED
DIMENSIONS ARE IN INCHES
REMOVE ALL DIMENSIONS
INTERPRET DIM AND TOL PER ASME Y14.5M - 1994
TOL ON ANGLE: 2' 28" 015 30.15 1.00

NOTICE: THE INFORMATION CONTAINED IN THIS DRAWING IS THE PROPERTY OF AMERTDOL, INC. AND IS TO BE USED ONLY FOR THE PROJECT AND IN PART. ANY REUSE OR MODIFICATION OF THIS DRAWING WITHOUT WRITTEN PERMISSION FROM AMERTDOL.

APPROVED	D. CASWELL	1/17/2010
CHECKED	R. PRICE	1/17/2010
DRAWN	D. CASWELL	1/17/2010
MATERIAL	SEE NOTE 2	

AMERTDOL MFG INC. AMERTDOL MFG INC
64 CORPORATE PARK DRIVE
CENTRAL SQUARE, NY 13036
PHONE: (315) 668-2172

STAINLESS STEEL BALL STUD
10MM BALL

SIZE	CAGE CODE	PART NO
A	6JG03	BSSS-10E
SCALE: 1:1	WEIGHT: 13g	SHEET 1 OF 1

CAD FILE: BSSS-10E SHOP PRINT.DWG