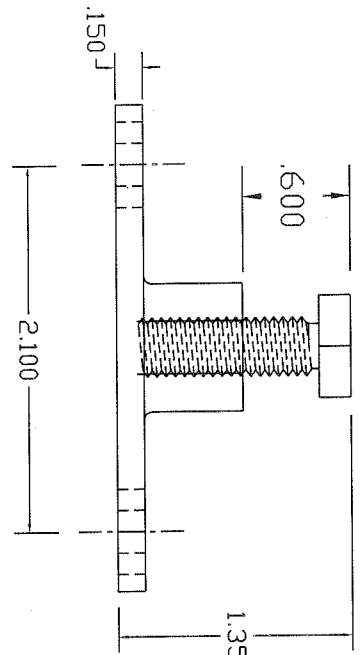
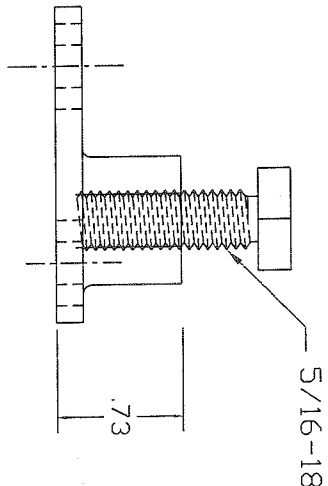
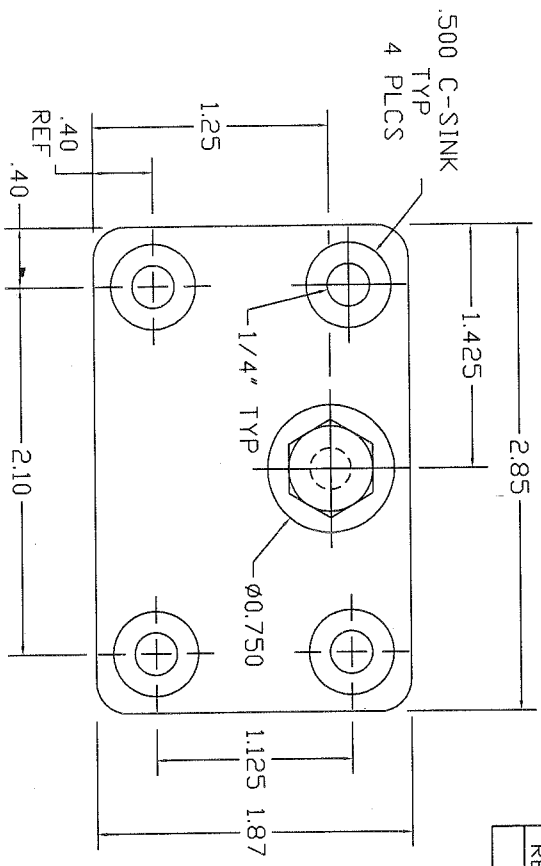


REVISIONS			
REV	DESCRIPTION	DATE	APPROVED



1. ALL DIAMETERS CONCENTRIC WITHIN .005 T.I.R.
 2. MAX SURFACE FINISH: 63 Ra.
 3. BREAK ALL EDGES: .010 MAX.
 4. MATERIAL: 316 STAINLESS STEEL
 5. WORKMANSHIP PER AMERITDOL STANDARD
- NOTES: UNLESS OTHERWISE SPECIFIED

CAD GENERATED DRAWING.
DO NOT MANUALLY UPDATE.

DO NOT SCALE PRINT
UNLESS OTHERWISE SPECIFIED
DIMENSIONS SHOWN IN PARENTS
REMOVE ALL DIMS
INTERPRET DIM AND TOL PER ASME Y14.5M - 1994
TOL DIM FINISH D UNLESS OTHERWISE SPECIFIED
TOL DIM FINISH F 0.015 0.015 SEE 2.100
NOTICE THE APPROVING COMPANY IN THIS
DRAWING IS NOT RESPONSIBLE FOR THE
QUALITY OF THE PART OR THE
MATERIAL USED IN THE PART.
EXCEPT WHEN SUCH USER HASSESSED DIRECT
WRITTEN AUTHORIZATION FROM AMERITDOL.

APPROVED	D. CASVELL	9/26/2011
CHECKED	R. PRICE	9/26/2011
DRAWN	D. CASVELL	9/26/2011
MATERIAL	SEE NOTE 2	

AMERITDOL
MFG INC.
AMERITDOL MFG INC.
64 CORPORATE PARK DRIVE
CENTRAL SQUARE, NY 13036
PHONE: (315) 668-2172

STAINLESS STEEL FLAT BRACKET
875 SERIES

SIZE	CAGE CODE	PART NO
A	6JGQ3	BR-235
SCALE: 1:1	WEIGHT:	SHEET 1 OF 1